

**Masoneilan®
215X1 Series
Control Valve**

Specification Data

CH215X1

09/03



**UOP® Lock Hopper
Over Travel
Control Valves**



Table of Contents

Features	2
Numbering System	3
General Data.....	3
Temperature Range/Seat Leakage.....	3
Capacity and Actuation.....	3
Materials of Construction.....	4-5
Dimensions	6
Weights	7
Accessories and Options.....	7
Sales Offices and Distribution Centers.....	8

Features

Originally designed in conjunction with UOP®, the Masoneilan® 215X1 Series is used in severe on-off service within the UOP Lock Hopper control systems as part of their Continuous Catalyst Regeneration Platforming Process. The 215X1 Series design construction is based on the highly successful and reliable 21000 Series unbalanced single ported control valves. Key design features include:

Heavy Top-Guiding

Rugged valve plug support is provided along the entire stroke length using a large guide bushing ensuring excellent plug stability and control. This is critical for controlling vibration damage, repeatable stroking and seating performance, and minimizing trim mechanical wear.

Over Travel Seating

The valve plug subassembly is designed with a primary hard seat and a secondary soft seat. Initial closing contact is made by the hard seating surfaces, followed by additional plug over travel resulting in soft seat closure. Over travel of approximately 0.25 inches (6.4 mm) is achieved with compression of the disk spring sets in the plug subassembly.

Protected Tight Shutoff

Dual seating configuration provides ANSI Class VI shutoff leakage with the soft seat and ANSI Class IV

leakage with the hard seat. As the valve begins to open, the hard seat remains seated while the soft seat retracts into the plug shank. High differential pressure is taken across the metal seat, thus protecting the integrity of the soft seat.

Severe Service Performance

Typical shutoff pressures up to 400 psig (2800 kPa) can be achieved with the 215X1 Over Travel trim design. Materials of construction are designed to withstand high-pressure drop conditions in hydrogen service with alumina (Al_2O_3) dust particles.

Long Life-Cycle

Excellent wear resistant materials, such as solid Stellite and 17-4 stainless steel, are used for the major trim components providing reliable long-term performance with minimum maintenance.

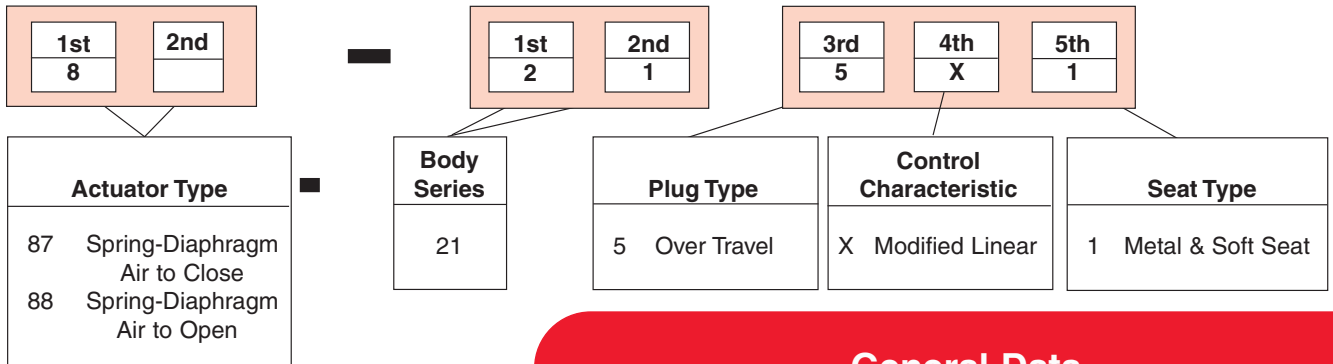
Field Proven Design

The Masoneilan 215X1 Series has a long history of successful operation and performance in numerous UOP Lock Hopper systems installed in refineries around the world.

Ease of Maintenance

Simple top-entry body construction and plug sub-assembly design allows for easy access and removal of trim components.

Numbering System



General Data

- **Flow Direction**
Over Travel: Flow-to-Close
- **Body**
Type: High Capacity Globe
Rating: ANSI Class 300
End Connections: RFF
- **Bonnet**
Type: Bolted
- **Body and Bonnet**
Materials: Carbon Steel
- **Trim**
Plug Type: Over Travel
Seat Type: Primary Hard Metal Seat
Secondary Soft Seat
Seat Ring: Threaded
Guide: Heavy Top Guided
Capacity: Full Area
Characteristic: Modified Linear
- **Actuator**
Type: Spring-Diaphragm
Handwheel: Optional

Temperature Range/Seat Leakage

Valve Size		Seat Type	Body Rating	Packing Material	Temperature Range		Seat* Leakage Class
inches	DN				min.	max.	
1	25	Metal and Soft Seat	ANSI Class 300	PTFE	-20°F	450°F	VI
1.5	40				(-29°C)	(232°C)	
2	50						

- * Notes:
 1. Seat leakage class ratings per IEC 534-4 and ANSI/FCI 70.2.
 2. Primary metal hard seat provides Class IV seat leakage.

Capacity and Actuation

Valve Size		Rated C _v	Travel		Actuator Size	Bench Range	Air Action
inches	DN		inches	mm			
1	25	12	0.8	20.3	No. 10	6 - 30	Direct or Reverse (On-Off)
1.5	40	25	0.8	20.3	No. 10		
2	50	45	0.8	20.3	No. 16		

Materials of Construction

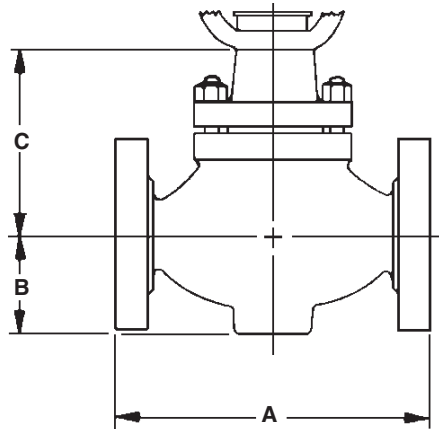
Standard Material Options

Valve Sizes: 1", 1.5" and 2" (DN 25-50)

Body Ratings: ANSI Class 300

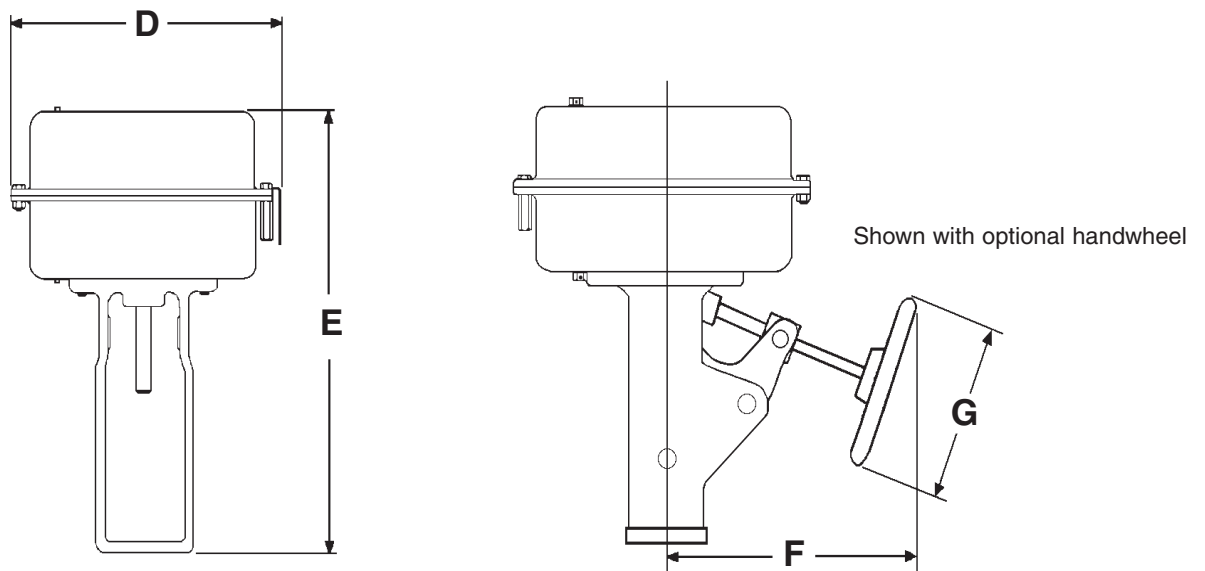
Ref. No.	Temperature Range	-20°F	450°F
Ref. No.	Description	Standard Materials	
1	Plug Stem	316 St. St. ASTM A479 TY 316	
2	Packing Flange Stud	304 St. St. ASTM A193 GR B8	
3	Packing Flange Nut	304 St. St. ASTM A194 GR B8	
4	Packing Flange	Carbon Steel ASTM A668 CL B or ASTM A216 GR WCC	
5	Packing Follower	Austenitic 300 Series Stainless Steel	
6	Packing	Kevlar® PTFE (Crane 285K)	
7	Lantern Ring (Optional)	Austenitic 300 Series Stainless Steel	
8	Valve Bonnet	Carbon Steel ASTM A515 Grade 70 (UNSK03101)	
9	Body Stud	Alloy Steel ASTM A193 GR B7	
10	Body Stud Nut	Carbon Steel ASTM A194 GR 2H	
11	Body Gasket	316L St. St. w/Flexible Graphite Filler (Spiral Wound)	
12	Guide Bushing	440C St. St. ASTM A276 TY 440C	
13	Plug Shank	Stellite 6 UNS 30006	
14	Seat Ring	316 St. St. ASTM A479 TY 316 with Hardfaced Seat	
15	Insert Retainer	17-4 PH St. St. ASTM A564 GR 630 (Condition H900)	
16	Plug Tip	17-4 PH St. St. ASTM A564 GR 630 (Condition H900)	
17	Soft Seat Insert	Teflon® ASTM D1457	
18	Valve Body	Carbon Steel ASTM A216 Grade WCC	
19	Drive Nut	Carbon Steel SAE 1117 or ASTM A216 GR WCC	
20	O-Ring	Buna-N ASTM D1418 Class 1 NBR (Nitrile)	
21	Set Screw	Austenitic 300 Series St. St. with NYLOK® Insert	
22	Disc Springs	17-7 PH St. St. ASTM A564 GR 631	
Ref. No.	Temperature Range	-29°C	232°C

Dimensions



215X1 Series Body S/A Dimensions
ANSI Class 300 RFF

Valve Size		A		B		C	
inches	mm	inches	mm	inches	mm	inches	mm
1	25	7.76	197	2.13	54	5.51	140
1.5	40	9.25	235	2.52	64	5.51	140
2	50	10.51	267	3	76	5.51	140



Model 87/88 Acuator Dimensions

Actuator Size	D		E		F		G	
	inches	mm	inches	mm	inches	mm	inches	mm
10	14.50	368	19.58	497	10.90	277	12.00	305
16	18.75	476	28.22	717	14.00	356	18.00	457

Weights

215X1 Series Body S/A

ANSI Class 300 RFF

Valve Size		Weight	
inches	mm	lbs.	kg
1	25	36	16
1.5	40	49	22
2	50	57	26

Model 87/88 Actuator

Valve Size	Weight		With Handwheel	
	lbs.	kg	lbs.	kg
10	85	39	105	48
16	210	95	245	111

Accessories and Options

Environmental Capabilities (Low Emissions Packing)
Air Sets
Solenoids
Switches

SALES OFFICE LOCATIONS

BELGIUM

Dresser Valves Europe
281-283 Chaussée de Bruxelles,
1190 Brussels, Belgium
Phone: +32-2-344-0970
Fax: +32-2-344-1123

BRAZIL

Dresser Industria E Comercio Ltda
Divisao Masoneilan
Rua Senador Vergueiro, 433
09521-320 Sao Caetano Do Sul
Sao Paulo, Brazil
Phone: 55-11-453-5511
Fax: 55-11-453-5565

CANADA

Alberta
Dresser - Masoneilan
DI Canada, Inc.
Suite 1300, 311-6th Ave., S.W.
Calgary, Alberta T2P 3H2, Canada
Phone: 403-290-0001
Fax: 403-290-1526

Ontario
Dresser - Masoneilan
DI Canada, Inc.
5010 North Service Road
Burlington, Ontario L7L 5R5, Canada
Phone: 905-335-3529
Fax: 905-336-7628

CHINA

Dresser Flow Control, Beijing Rep. Office
Suite 2403, Capital Mansion
6 Xinyuannan Rd. Chaoyang District
Beijing 100004, China
Phone: +86-10-8486-5272
Fax: +86-10-8486-5305

FRANCE

Dresser Produits Industriels S.A.S.
4, place de Saverne
92971 Paris La Défense Cedex, France
Phone: +33-1-4904-9000
Fax: +33-1-4904-9010

Dresser Produits Industriels S.A.S.,
Masoneilan Customer Service Centre
55 rue de la Mouche, Zone Industrielle
69540 Irigny, France
Phone: +33-4-72-39-06-29
Fax: +33-4-72-39-21-93

GERMANY

Dresser Valves Europe GmbH
Heiligenstrasse 75
Viersen D-41751, Germany
Phone: +49-2162-8170-0
Fax: +49-2162-8170-280

Dresser Valves Europe GmbH
Uhlendstrasse 58
60314 Frankfurt, Germany
Phone: +49-69-439350
Fax: +49-69-4970802

Dresser Valves Europe GmbH
Rudolf -Breitscheid-Str.18
06237 Leuna, Germany
Phone: +49-3461-434443
Fax: +49-3461-434446

INDIA

Dresser Valve India Pvt. Ltd.
305/306, "Midas", Sahar Plaza
Mathurdas Vasani Road
J.B. Nagar, Andheri East
Mumbai, 400059, India
Phone: +91-22- 8381134
Fax: +91-22-8354791

Dresser Valve India Pvt. Ltd.
205, Mohta Building
4 Bhikaiji Cama Place
New Delhi, 110 066, India
Phone: +91-11-6164175
Fax: +91-11-6165074

Dresser Valve India Pvt. Ltd.
Flat No. A/1, Uma Apartments 13,
4th Main Road,
United India Colony, Kodambakkam
Chennai, 600 024, India
Phone: +91-44-480-2393
Fax: +91-44-484-8827

ITALY

Dresser Italia S.r.l.
Masoneilan Operations
Via Cassano, 77
80020 Casavatore, Napoli Italy
Phone: +39-081-7892-111
Fax: +39-081-7892-208

JAPAN

Niigata Masoneilan Co. Ltd. (NIMCO)
20th Floor, Marive East Tower
WBG 2-6 Nakase, Mihama-ku,
Chiba-shi, Chiba 261-7120 Japan
Phone: +81-43-297-9222
Fax: +81-43-299-1115

KOREA

Dresser Korea Inc.
2015 Kuk Dong Building 60-1
3-Ka, Choongmu-ro Chung-Ku
Seoul, Korea
Phone: +82-2-2274-0792
Fax: +82-2-2274-0794

KUWAIT

Dresser Flow Control
Middle East Operations
10th Floor, Al Rashed Complex
Fahad Salem Street, P.O. Box 242
Safat, 13003, Kuwait
Phone: +965-9061157
Fax: +965-3718590

MALAYSIA

Dresser Flow Control
Business Suite, 19A-9-1, Level 9
UOA Centre, No. 19, Jalan Pinang
50450 Kuala Lumpur, West Malaysia
Phone: +60-3-2163-2322
Fax: +60-3-2161-1362

MEXICO

Dresser Valve de Mexico, S.A. de C.V.
Henry Ford No. 114, Esq. Fulton
Fraccionamiento Industrial San Nicolas
54030 Tlalnepantla Estado de Mexico
Phone: 52-5-310-9863
Fax: 52-5-310-5584

THE NETHERLANDS

Dresser Valves Europe
Steenhouwerstraat 11
3194 AG Hoogvliet, The Netherlands
Phone: +31-10-438-4122
Fax: +31-10-438-4443

NIGERIA

Dresser Flow Control
Plot 293, Akin Olugbade Street
Victoria Island, Lagos, Nigeria
Phone: +234-1-555-4229
Fax: +234-1-555-7969

RUSSIA

DS Controls
Nekhinskaya Street, 61
Veliky Novgorod
Russia, 173021
Phone: +7-8162-11-3099
Fax: +7-8162-11-2981

SAUDI ARABIA

Dresser Flow Control
c/o Al-Rushaid Trading Co.
P.O. Box 31684
Al-Khobar 31952, Saudi Arabia
Phone: +966-3-893-3333 (xt 237)
Fax: +966-3-864-7064

Dresser AL Rushaid
Valve & Instrument Co., Ltd. (Darvico)
P.O. Box 10145
Jubail Industrial City 31961, Saudi Arabia
Phone: +966-3-341-0278
Fax: +966-3-341-7624

SINGAPORE

Dresser Singapore PTE Ltd.
16 Tuas Avenue 8
Singapore 639231
Phone: +65-6-861-6100
Fax: +65-6-861-7197

SOUTH AFRICA

Dresser Limited
P.O. Box 2234
16 Edendale Road
Eastleigh, Edenvale 1610
Republic of South Africa
Phone: +27-11-452-1550
Fax: +27-11-452-6542

SPAIN

Masoneilan S.A.
C/Murcia 39 C
08830 Sant Boi de Llobregat
Barcelona, Spain
Phone: +34-93-652-6430
Fax: +34-93-661-3450

Masoneilan S.A.
Calle Mayor, 16 B, 1ºE
48930 Las Arenas
Vizcaya, Spain
Phone: +34-94-463-9600
Fax: +34-94-463-9453

UNITED ARAB EMIRATES

Dresser Flow Control
Middle East Operations
P.O. Box 61302
Roundabout 8
Units JA01 & JA02
Jebel Ali Free Zone
Dubai, U. A. E.
Phone: +971-4-8838-752
Fax: +971-4-8838-038

Dresser Flow Control
Abu Dhabi Office
12th Floor, Bin Hamoodah Bldg.
Khalifa Street, P.O. Box 203
Abu Dhabi, U. A. E.
Phone: +971-2-6265-734
Fax: +971-2-6265-735

UNITED KINGDOM

DI U.K. Ltd.
East Gillibrands
Skelmersdale,
Lancashire WN8 9TU, England
Phone: +44-1695-52600
Fax: +44-1695-50569

DI U.K. Ltd.
Unit 4, Suite 1.1, Nobel House
Grand Union Office Park
Packet Boat Lane
Uxbridge, Middlesex UB8 2GH
Phone: +44-1895-454-900
Fax: +44-1895-454-917

UNITED STATES

Northern Region
Dresser -Masoneilan
85 Bodwell Street
Avon, MA 02322-1190
Phone: 508-586-4600
Fax: 508-427-8971

Southern Region
Dresser - Masoneilan
2135 Highway 6 South
Houston, TX 77077
Phone: 281-496-8100
Toll Free: 800-847-1099
Fax: 281-596-4222

South Texas Operations
Dresser - Masoneilan
4841 Leopard Street
Corpus Christi, TX 78408-2621
Phone: 361-877-2414
Fax: 361-584-1196

Elliott Valve Operations
5436 Clay Street
Houston, TX 77023
Phone: 713-926-8318
Fax: 713-926-1430

Masoneilan Aftermarket
Sales & Service Center
16030 Bear Bayou Drive
Channelview, TX 77530
Phone: 281-862-1500
Fax: 281-862-1550

Western Region
Dresser - Masoneilan
Masoneilan
2950 East Birch Street
Brea, CA 92821
Phone: 714-572-1528
Fax: 714-572-1463



Specification Data CH215X1 09/03
215X1 Series