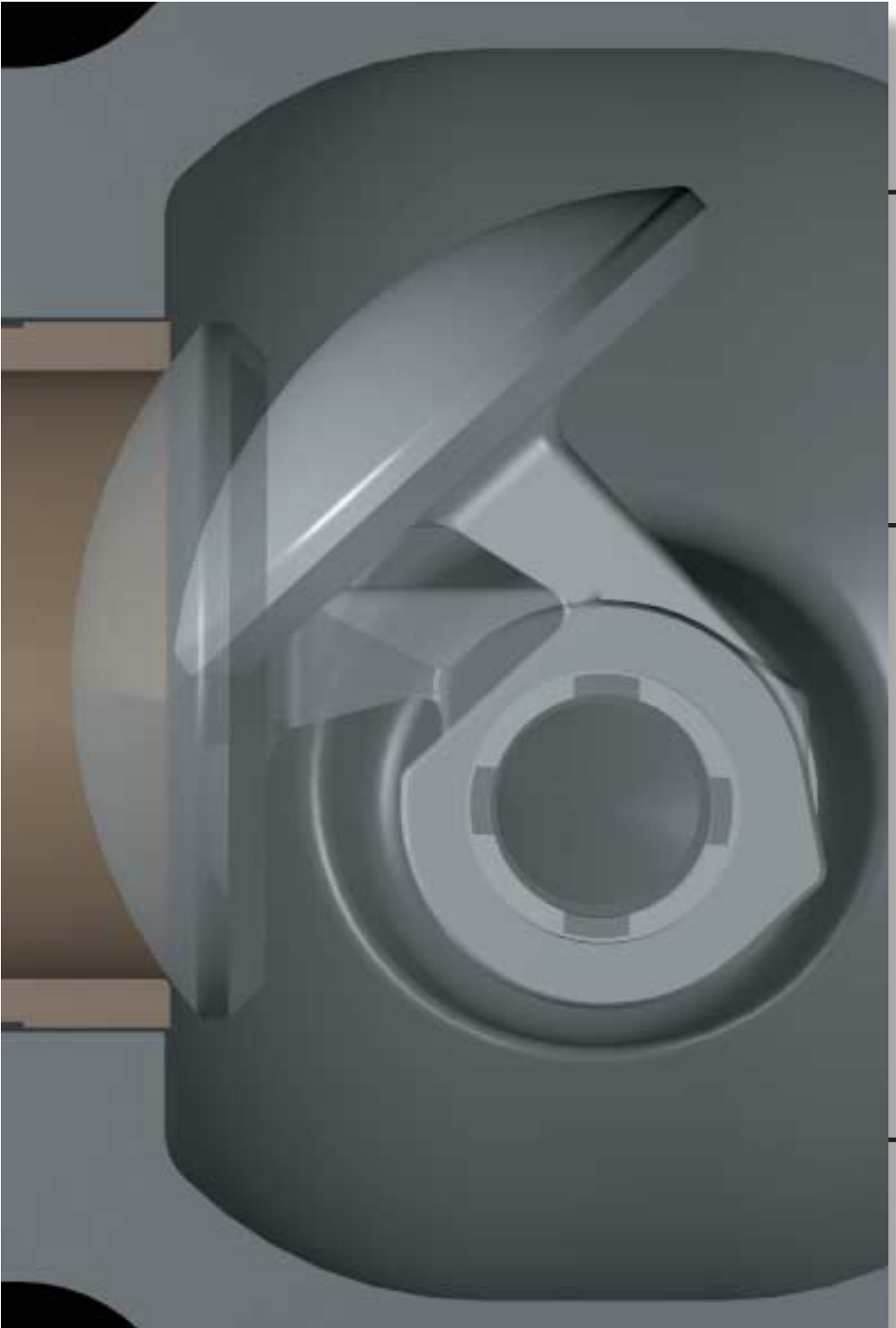


C A M F L E X<sup>®</sup>

The Original

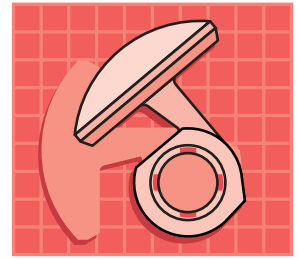


**Masoneilan**

*Experience, Knowledge & Technology...In Control*



The Camflex easily adapts to a variety of applications, providing an efficient solution at competitive prices. Standard Camflex parts are available off-the-shelf, offering product enhancements which are typically options on many alternative products. Unique features, such as the standard extended bonnet, allows for operation within a wide temperature range. Camflex... a powerful performer delivering maximum flexibility and convenience to meet your overall business needs.



ECCENTRIC PLUG  
CONTROL VALVE

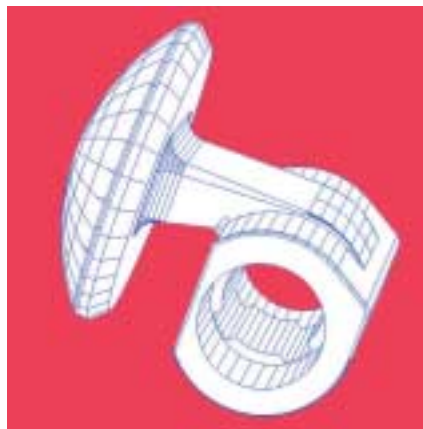
VERSATILE



FIELD PROVEN

Over 600,000 Camflex valves have been successfully installed and operated in a variety of process industries and applications. Today's Camflex continues to provide legendary dependability through a field proven concept that remains the standard of excellence for all eccentric plug rotary control valves.

The "new generation" Camflex continues to be manufactured to the highest standards, using precise techniques, quality craftsmanship, state-of-the-art technology, unmatched industry knowledge, and over one hundred years of process control experience.



WORLD CLASS



# THE ORIGINAL

## The Optimum Solution... In Control

### The First

Masoneilan Operations, a leading provider of automated process control solutions, offers the Camflex®. As the original eccentric plug rotary valve, the Camflex combines top performance and features within an extremely economical design. The Camflex was designed as an optimized control “system” that offers enormous versatility and broadness of application, yet provides ideal standardization for manufacturing. It is the most widely used eccentric plug control valve in the world, satisfying a variety of control applications and acquiring a long history of successful experience.

The Camflex was the first to demonstrate how top performance and features could be packaged in an eco-nomical and efficient rotary control valve architecture offering:

- Low life-cycle costs
- Cost effective design
- Modular “system” configuration
- Enclosed linkages

**The Standard** – The Camflex...A Bold and Innovative Pioneer

### The Best

A remarkable feat of engineering, the Camflex is the quintessential

control valve. The Camflex has established eccentric plug rotary valves as being unparalleled in broad applicability, high rangeability, excellent throttling control, and extremely economical life-cycle cost. When it comes to eccentric plug rotary designs, nothing in the marketplace compares to the Camflex. As an example, the unique flexing action of the Camflex’s plug arms provides unmatched shutoff over the life of the

product even in high duty cycle applications. If it’s an eccentric plug control valve, make sure it’s a Camflex. No other eccentric plug valve combines standard features such as:

- Stellited trim
- Environmental packing
- High integrity splined shaft connection
- Broad size range from 1” through 16”

**No Equal** – The Camflex...The World’s Best Selling Rotary Control Valve

### And Getting Better

Over the years, the Camflex has been enhanced

with key improvements in both actuation and positioner design, increased breadth of application and overall performance. This process continues today, as the Camflex offers even more solutions such as:

- High nickel alloy materials
- Ceramic trim
- Jacketed construction
- High capacity version
- Slurry package
- Cryogenic service configuration
- Enhanced throttling control performance

### Camflex Reduces Lifecycle Costs

#### Procurement

- Competitively priced solution
- Standard features offer enhanced customer value
- Outstanding product flexibility to address any situation

#### Operation

- Excellent control performance reduces process variability
- High reliability in a variety of applications
- Durable tight shut-off capability

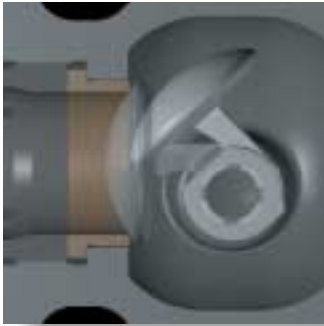
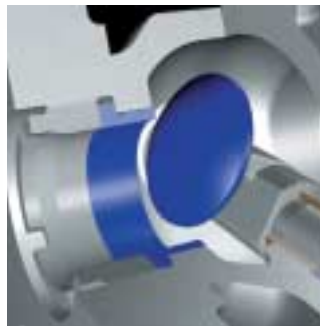
#### Maintenance

- High performance packing with minimal maintenance
- Standard stellited trim reduces wear
- Enclosed actuator linkage offers added protection

With the recent market introduction of the Masoneilan Smart Valve Interface™ digital positioner, the Camflex valve can now be obtained with all the desirable advantages of smart products. This includes advanced diagnostics and improved throttling control performance. Indeed, when outfitted with an SVI™ positioner, the Camflex meets or exceeds the most stringent specifications for dynamic throttling control.

### Trim Configurations

The standard metal seat ring design requires no shimming to attain positive ANSI Class IV shut-off. Positioning flexibility provided by the splined connection allows the plug to self-align properly in the seat. Trim life is extended through the use of stellite as the standard configuration. High nickel alloy and ceramic trim options are available for corrosive and erosive flow media. A Teflon seat option is also offered using controlled compression with metal-to-metal back-up providing ANSI Class VI shut-off.



### Tight Shut-Off

The heart of the Camflex valve design, the eccentric plug, provides tight shut-off even in high duty cycle applications. The CAM motion of the plug acts as a wiper to displace large particles away from the seating surfaces. Once seat contact is made, additional actuator thrust produces elastic deformation or FLEXing of the plug arm, creating a repeatable and reliable tight shut-off.

### Body Construction

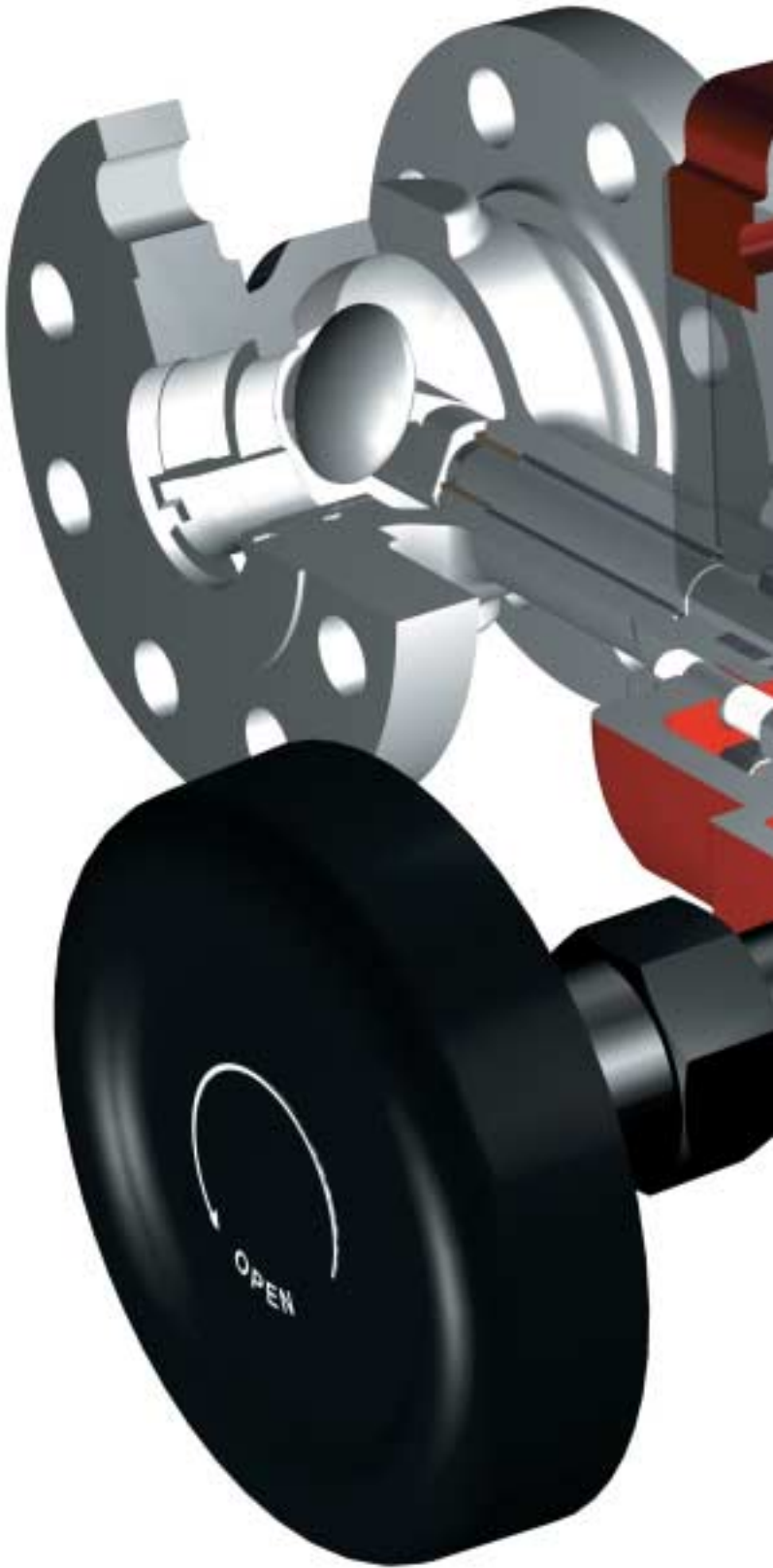
Using a simple, yet rugged, ANSI Class 600 valve body design platform, the Camflex is offered with Class 150, 300 and 600 flanges. This single heavy duty construction handles the majority of control valve applications. The unobstructed flow path created by the trim and body designs results in high capacity, and also minimizes erosion and sediment collection.

### Sealing & Packing

The rotary shaft seal provides a more positive seal with longer life expectancy versus standard sliding stem designs. More significantly, the standard Camflex packing is an environmental seal construction which meets regulatory requirements for fugitive emissions.

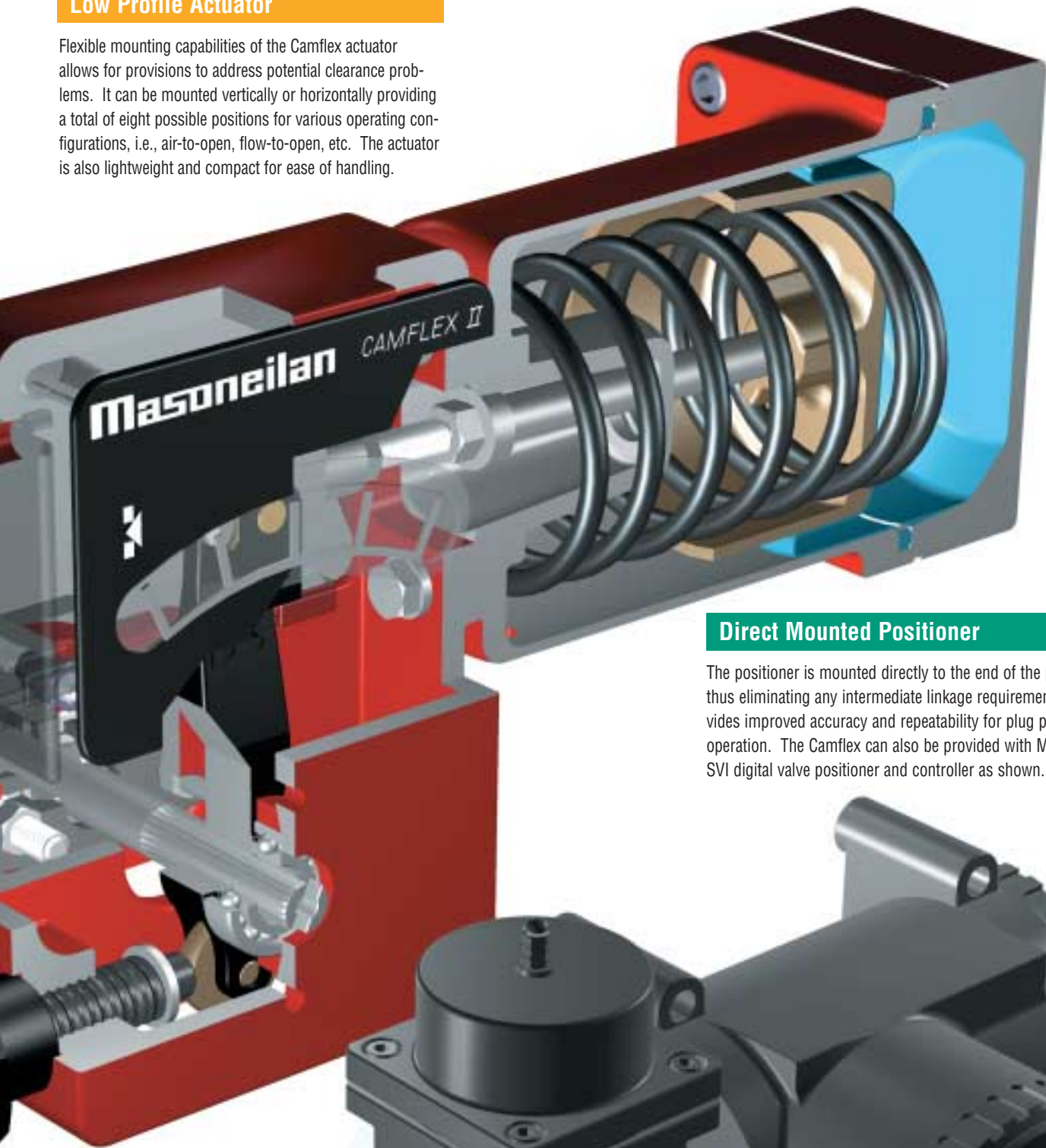
### Full Enclosure

Dynamic components within the valve and actuator are completely protected from the elements. This includes the connection between the actuator and valve, which is protected by an extended cast iron yoke. An integral bonnet also contributes to this protective scheme while eliminating the need for a gasket interface.



## Low Profile Actuator

Flexible mounting capabilities of the Camflex actuator allows for provisions to address potential clearance problems. It can be mounted vertically or horizontally providing a total of eight possible positions for various operating configurations, i.e., air-to-open, flow-to-open, etc. The actuator is also lightweight and compact for ease of handling.



## Direct Mounted Positioner

The positioner is mounted directly to the end of the plug shaft, thus eliminating any intermediate linkage requirements. This provides improved accuracy and repeatability for plug positioning and operation. The Camflex can also be provided with Masoneilan's SVI digital valve positioner and controller as shown.

## Mechanical Integrity

The rotary shaft is splined at both the plug and lever arm connections. This rugged construction minimizes backlash and eliminates the need for keys or pins, providing unmatched operating precision for a rotary valve. A triple bearing system provides exceptional support and guiding for the plug shaft.



Masoneilan is an international leader in the design, manufacture, and support of final control elements and solutions for efficient process automation. Masoneilan is a part of the Dresser Flow Control business unit of Dresser Inc. Dresser, Inc., is a worldwide leader in the design, manufacture and marketing of highly engineered equipment and services sold primarily to customers in the energy industry.

## Sales Office Locations

### AUSTRIA

Dresser Valves Europe GmbH  
Kaiserallee 14  
A-2100 Korneuburg (near Wien), Austria  
Phone: 43-2262-63689  
Fax: 43-2263-6368915

### BELGIUM

Dresser Europe S.p.r.L.  
281-283 Chaussee de Bruxelles  
281-283 Brusselsesteenweg  
1190 Brussels, Belgium  
Phone: 32-2-344-0970  
Fax: 32-2-344-1123

### BRAZIL

Dresser Industria E Comercio Ltda  
Divisao Masoneilan  
Rua Senador Vergueiro, 433  
09521-320 Sao Caetano Do Sul  
Sao Paulo, Brazil  
Phone: 55-11-453-5511  
Fax: 55-11-453-5565

### CANADA

Alberta  
Dresser Flow Control  
DI Canada, Inc.  
Suite 1300, 311-6th Ave., S.W.  
Calgary, Alberta T2P 3H2  
Canada  
Phone: 403-290-0001  
Fax: 403-290-1526

### ONTARIO

Dresser Flow Control  
DI Canada, Inc.  
5010 North Service Road  
Burlington, Ontario L7L 5R5  
Canada  
Phone: 905-335-3529  
Fax: 905-336-7628

### CHINA

Dresser  
Suite 2403, Capital Mansion  
6 Xinyuannan Road  
Chao Yang district  
Beijing 100040  
Phone: 86-10-6466-1164  
Fax: 86-10-6466-0195

### FRANCE

Dresser Produits Industriels S.A.S.  
Division Masoneilan  
4, place de Saverne  
92400 Courbevoie  
France  
Phone: 33-1-49-04-90-00  
Fax: 33-1-49-04-90-10

### GERMANY

Dresser Valves Europe GmbH  
Klein-Kollenburg-Strasse 78-80  
47877 Willich, Germany  
Mailing Address:  
P.O. Box 1208  
47860 Willich, Germany  
Phone: 49-2156-9189-0  
Fax: 49-2156-9189-99

### INDIA

Dresser Valve India Pvt. Ltd.  
305/306 "Midas" - Sahar Plaza  
Mathurdas Vasanji Road  
J.B. Nagar - Andheri East  
Mumbai, India 400 059  
Phone: 91-22-835-4790  
Fax: 91-22-835-4791

### ITALY

Dresser Italia S.r.L.  
Masoneilan Operation  
Via Cassano, 77  
80020 Casavatore (Naples), Italy  
Phone: 39-81-7892-111  
Fax: 39-81-7892-208

### JAPAN

Niigata Masoneilan Company, Ltd.  
20th Floor, Marive East Tower  
WBG 2-6 Nakase, Mihama-Ku  
Chiba-shi, Chiba 261-7120, Japan  
Phone: 81-43-297-9222  
Fax: 81-43-299-1115

### KOREA

Dresser Korea, Inc.  
#2107 Kuk Dong Building  
60-1, 3-Ka, Choongmu-ro  
Chung-Ku, Seoul, 100705  
Phone: 82-2-274-0792  
Fax: 82-2-274-0794

### KUWAIT

Dresser  
P.O. Box 242  
Safat 13003, Kuwait  
Courier:  
Flat No. 36, Floor 8  
Gaswa Complex, Mahboula  
Kuwait  
Phone: 965-9061157

### MALAYSIA

Dresser Flow Control - Far East  
Business Suite 19A-9-1  
Level 9, UOA Centre  
No. 19 Jalan Pinang  
50450 Luala Lumpur, Malaysia  
Phone: 60-3-2163-2322  
Fax: 60-3-2163-6312

### MEXICO

Dresser Valve de Mexico, S.A. de C.V.  
Henry Ford No. 114, Esq. Fulton  
Fraccionamiento Industrial San Nicolas  
54030 Tlalnepantla Estado de Mexico  
Phone: 52-5-310-9863  
Fax: 52-5-310-5584

### THE NETHERLANDS

Dresser Valves Europe  
Steenhouwerstraat 11  
3194 AG Hoogvliet  
The Netherlands  
Mailing Address:  
P.O. Box 640  
NL3190 AN Hoogvliet RT  
The Netherlands  
Phone: 31-10-438-4122  
Fax: 31-10-438-4443

### SINGAPORE

Dresser Singapore, Pte. Ltd.  
16, Tuas Avenue 8  
Singapore 639231  
Phone: 65-861-6100  
Fax: 65-861-7172

### SOUTH AFRICA

Dresser Ltd., South Africa Branch  
P.O. Box 2234, 16 Edendale Road  
Eastleigh, Edenvale 1610  
Republic of South Africa  
Phone: 27-11-452-1550  
Fax: 27-11-452-6542

### SPAIN

Masoneilan S.A.  
C/ Murcia 39 C  
08830 Sant Boi de Llobregat  
Barcelona, Spain  
Phone: 34-93-652-6430  
Fax: 34-93-652-6444

### SWITZERLAND

Dresser Valves Europe SA  
Frauntalweg 76  
CH-8045 Zurich, Switzerland  
Mailing Address:  
P.O. Box 3568  
CH-8021 Zurich, Switzerland  
Phone: 41-1-450 28 91  
Fax: 41-1-450 28 95

### UNITED ARAB EMIRATES

Dresser  
Middle East Operations  
Post Box 61302  
R/A 8, Units JA01/JA02  
Jebel Ali Free Zone  
United Arab Emirates  
Courier:  
Units Nos. JA01 + JA02  
Roundabout 8  
Jebel Ali Free Zone  
United Arab Emirates  
Phone: 971-4-8838-752  
Fax: 971-4-8838-038

### UNITED KINGDOM

DI U.K. Limited  
Trevithick Works  
Gillibrands Estate, Skelmersdale  
Lancashire WN8 9TU, England  
United Kingdom  
Phone: 44-1695-52600  
Fax: 44-1695-52662

### DI U.K.

Unit 4, Suite 1.1, Nobel House  
Grand Union Office Park  
Packet Boat Lane, Uxbridge  
Middlesex UB8 2GH, England  
United Kingdom  
Phone: 44-1895-454900  
Fax: 44-1895-454919

### UNITED STATES

Northern Region  
Dresser Flow Control  
85 Bodwell Street  
Avon, MA 02322-1190  
Phone: 508-586-4600  
Fax: 508-427-8971

Southern Region  
Dresser Flow Control  
11100 West Airport Blvd.  
Stafford, TX 77477-3014  
Phone: 281-568-2211  
Toll Free: 800-847-1099  
Fax: 281-568-1414

South Texas Operations  
Dresser Flow Control  
4841 Leopard Street  
Corpus Christi, TX 78408-2621  
Phone: 361-877-2414  
Fax: 361-584-1196

Masoneilan Aftermarket  
Sales & Service Center  
16030 Bear Bayou Drive  
Channelview, TX 77530  
Phone: 281-862-1500  
Fax: 281-862-1550

# Masoneilan

Experience, Knowledge & Technology...In Control

Visit us at [www.masoneilan.com](http://www.masoneilan.com)



## Flow Control

BF5000